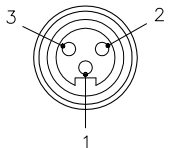
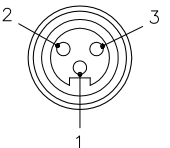
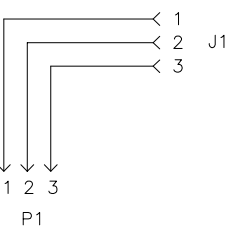
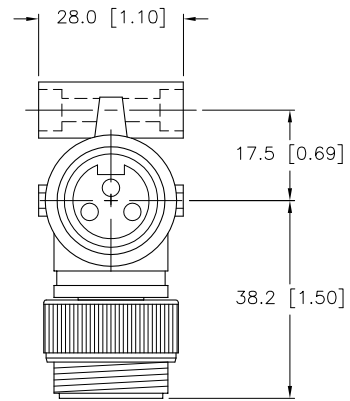
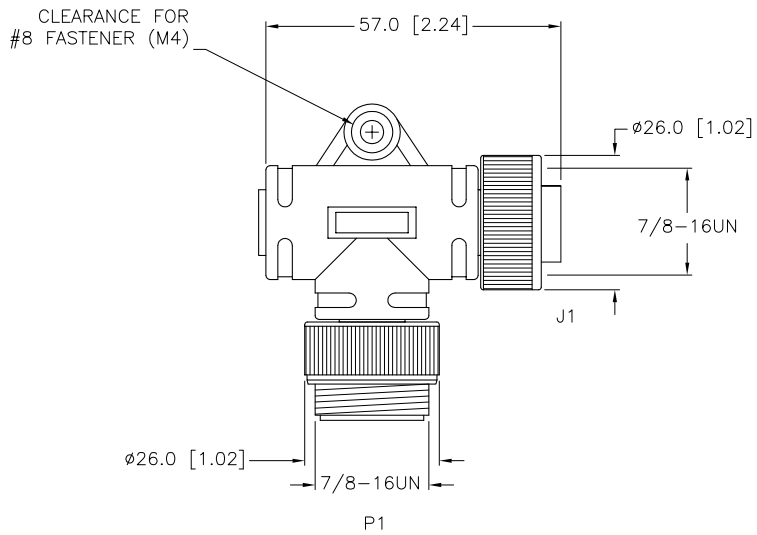
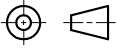


MALE END VIEW	FEMALE END VIEW	WIRING SCHEMATIC	SPECIFICATIONS	
			CONTACT CARRIER MATERIAL/COLOR	TPU/YELLOW
			MOLDED HEAD MATERIAL/COLOR	TPU/YELLOW
			CONTACT MATERIAL/PLATING	BRASS/GOLD
			COUPLING NUT MATERIAL/FINISH	STAINLESS STEEL/PASSIVATED
			RATED CURRENT [A]	9.0 A
			RATED VOLTAGE [V]	250 V
			TEMPERATURE RATING	-40°C to +80°C (-40°F to +176°F)
			PROTECTION CLASS	MEETS NEMA 1,3,4,6P AND IEC IP67



SOURCE DRAWING - FOR REFERENCE ONLY

RELATED DOCUMENTS 1. 2. 3. 4.	3RD ANGLE PROJECTION 	THIS DRAWING IS PROPERTY OF TURCK INC. USE OF THIS DOCUMENT WITHOUT WRITTEN PERMISSION IS PROHIBITED.	<div style="display: flex; justify-content: space-between;"> <div data-bbox="1480 1307 1858 1372"> <b>TURCK INC</b>  <i>High Technology Sensors and Automation Controls</i> </div> <div data-bbox="1869 1291 2068 1404">           3000 CAMPUS DRIVE            MINNEAPOLIS, MN 55441            1-800-544-7769            (763) 553-7300            (763) 553-0708 fax            turck.com         </div> </div>		
MATERIAL SEE SPECS	ALL DIMENSIONS DISPLAYED ON THIS DRAWING ARE FOR REFERENCE ONLY	DRFT RWC	DATE 04/15/10	DESCRIPTION WSV RKV 30	
FINISH SEE SPECS	CONTACT TURCK FOR MORE INFORMATION	DSGN	SCALE 1=1.5	IDENTIFICATION NO. U2-17334	
UNIT OF MEASUREMENT <b>MILLIMETER [ INCH ]</b>		DO NOT SCALE THIS DRAWING		REV B	SHEET 1 OF 1
B UPDATE KEYWAY ORIENTATION, SEE ECO	RWC	04/22/10	30918	FILE: U2-17334	
REV DESCRIPTION	BY	DATE	ECO NO.	SHEET 1 OF 1	